

COUGAR.

AIR OPERATED BALL VIBRATORS

COUGAR.

AIR OPERATED BALL VIBRATORS



BALL VIBRATORS

Compact, lightweight, can be used virtually anywhere



TRUCK VIBRATORS

Dump wet, sticky, and frozen material
12 and 24 volt; "The Original"



ELECTRIC VIBRATORS

The highest quality Electric
Vibrator you can buy



HYDRAULIC VIBRATORS

Powerful-Quiet-Efficient
Adjustable weights and frequency



AIR VIBRATORS

Hardworking-Tough-Dependable
Permanent or quick change base



**AIR OPERATED
BALL VIBRATORS**

With more than 30 years of experience in the vibrator equipment industry, Cougar Industries provides high performance, cost effective solutions to material flow problems. Cougar's line of high quality Ball Vibrators are compact and lightweight, and can be mounted virtually anywhere.

**COUGAR OFFERS HIGH
PERFORMANCE**

Constructed of high performance materials, Cougar Ball Vibrators are designed to produce more force for size, weight and cost than any other type of vibrators available. The vibrators are also

engineered to be maintenance-free, with only one moving part. Offering durability and ruggedness, Cougar Ball Vibrators effectively operate in extreme cold and heat up to 350°F, as well as in dirt, dust and water.

EASY TO USE

Relying on a simple design, compressed air forces a chrome steel ball around bearing grade races, allowing the ball vibrator to produce an easy-to-use source of vibration. The vibrators can be installed by simply bolting into position; once installed, they can operate immediately. The speed and force of the vibrator can be adjusted by regulating the air supply.

To enable quiet operation of less than 80 dB, Cougar Ball Vibrators have tapered exhaust ports for mufflers or for exhaust removal.

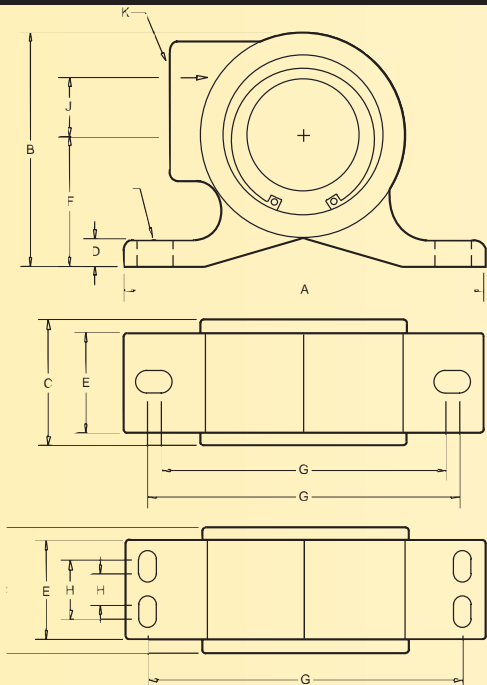
OUR BUSINESS IS VIBRATORS

Ideal for a variety of industries, applications and materials. Cougar Industries offers its products through a strong network of dealers and distributors. Providing expert technical assistance, an engineering department for special applications, and fast repair service, Cougar Industries understands your vibrator needs.

For more information and a list of Cougar Industries dealers, please call 1-800-262-2106.

COUGAR.
INDUSTRIES, INC.

DIMENSIONS



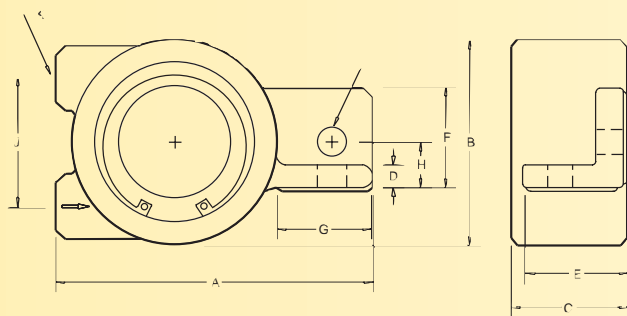
ABF

MODEL	A	B	C	D	E	F	G	H	I	J	K	Bolt Pattern	Bolt Size	Port Spacing	Ports Tapped npt	Vibrator Weight/Lbs.
ABF-10	3 ^{15/16}	2 ^{3/16}	1 ^{3/16}	1/4	1	1 ^{1/8}	3		5/16	5/8	1/8					3/4
ABF-13	5 ^{1/6}	2 ^{5/8}	1 ^{5/16}	5/16	1 ^{3/16}	1 ^{7/16}	4		3/8	3/4	1/8					1 ^{1/12}
ABF-19	5 ^{1/8}	3 ^{5/16}	1 ^{11/16}	3/8	1 ^{3/8}	1 ^{13/16}	4		3/8	7/8	1/4					2 ^{1/2}
ABF-25	6 ^{3/8}	4 ^{3/8}	2 ^{5/16}	1/2	2	2 ^{7/16}	4 to 5		1/2	1 ^{1/8}	1/4					5 ^{1/2}
ABF-35	6 ^{3/8}	4 ^{3/8}	2 ^{5/16}	1/2	2	2 ^{7/16}	4 to 5		1/2	1 ^{1/8}	1/4					5 ^{7/8}
ABF-41	6 ^{3/8}	6	3 ^{1/8}	1/2	2 ^{15/16}	3 ^{1/4}	5 ^{1/2}	1 ^{1/4} to 1 ^{3/4}	3/8	1 ^{1/2}	3/8					13 ^{1/2}
ABF-51	6 ^{3/8}	6	3 ^{1/8}	1/2	2 ^{15/16}	3 ^{1/4}	5 ^{1/2}	1 ^{1/4} to 1 ^{3/4}	3/8	1 ^{1/2}	3/8					14 ^{1/2}

PERFORMANCE

MODEL	IN. LBS.	HORZ.	VERT.	RPM	FORCE	CFM	At 20 PSI			At 40 PSI			At 60 PSI			At 80 PSI			At 100 PSI			Max. Lbs. in Sloped Section of Bin
							RPM	FORCE	CFM	RPM	FORCE	CFM	RPM	FORCE	CFM	RPM	FORCE	CFM	RPM	FORCE	CFM	
ABF-10	.003	12	20	9,500	8	2.8	15,000	19	4.3	15,500	20	6	19,000	31	7.5	19,200	31	9.2	17,500	70	12.5	700
ABF-13	.008	3	18	8,600	17	3.7	13,000	38	5.9	15,100	52	8.1	17,000	66	10	17,500	70	12.5	16,000	269	16.5	2,696
ABF-19	.037	5	20	7,750	63	4.9	11,000	127	9	13,250	184	11.1	15,500	252	14.1	16,000	269	16.5	12,000	474	19.5	4,740
ABF-25	.116	5	41	6,400	135	5.8	8,100	216	9.4	9,700	313	12.8	11,100	406	16.3	12,000	474	19.5	11,500	789	18.9	9,700
ABF-35	.210	5	41	7,000	292	7.1	8,200	401	10.9	10,750	689	14.7	11,500	789	18.9	12,750	970	22	5,800	717	34	7,170
ABF-41	.750	5	65	3,000	192	10.4	4,000	341	16.6	5,000	533	20.8	5,500	644	29	5,800	717	34	5,600	1,006	35	10,060
ABF-51	1.13	5	84	2,100	142	10.4	3,000	289	16.6	3,600	416	22.5	5,000	802	29	5,600	1,006	35				

DIMENSIONS



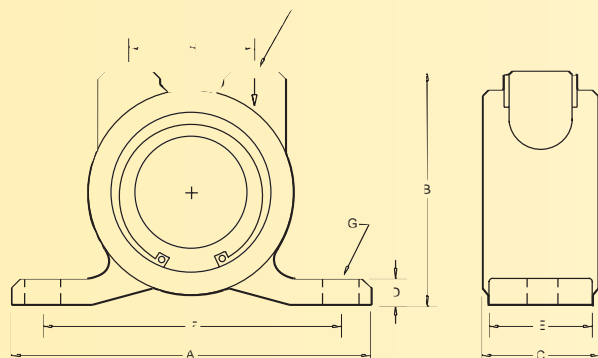
ABL

MODEL	A	B	C	D	E	F	G	H	I	J	K	Bolt Pattern	Bolt Size	Port Spacing	Ports Tapped npt	Vibrator Weight/Lbs.
ABL-10	3	2	1 ^{3/16}	1/4	1 ^{1/8}	1 ^{1/16}	1	9/16	5/16	1 ^{1/8}	1/8					3/4
ABL-13	3 ^{11/16}	2 ^{3/8}	1 ^{5/16}	5/16	1 ^{3/16}	1 ^{1/8}	1	5/8	3/8	1 ^{1/4}	1/8					1
ABL-19	4 ^{1/2}	2 ^{15/16}	1 ^{11/16}	3/8	1 ^{9/16}	1 ^{3/8}	1 ^{1/4}	11/16	3/8	1 ^{3/4}	1/4					2
ABL-25	5 ^{5/8}	3 ^{13/16}	2 ^{5/16}	1/2	2 ^{3/16}	2 ^{1/8}	1 ^{5/8}	1	1/2	2 ^{1/4}	1/4					4 ^{3/4}

PERFORMANCE

MODEL	IN. LBS.	HORZ.	VERT.	RPM	FORCE	CFM	At 20 PSI			At 40 PSI			At 60 PSI			At 80 PSI			At 100 PSI			Max. Lbs. in Sloped Section of Bin
							RPM	FORCE	CFM	RPM	FORCE	CFM	RPM	FORCE	CFM	RPM	FORCE	CFM	RPM	FORCE	CFM	
ABL-10	.003	4	5	15,750	21	3.3	21,000	37	6.4	23,000	45	6.4	24,000	49	8.4	26,000	57	10.5	20,000	91	13.5	910
ABL-13	.008	5	10	13,000	38	4.2	17,500	70	6.6	19,500	86	8.8	20,000	91	11.3	20,000	91	13.5	16,000	269	16.1	17,000
ABL-19	.037	5	13	8,750	80	5.2	10,500	116	8.3	15,000	236	11.2	16,000	269	16.1	17,000	303	17.5	12,500	515	18.1	12,750
ABL-25	.116	5	19	7,400	180	6.6	10,000	329	10.4	11,000	399	14.1	12,500	515	18.1	12,750	515	23.5				

DIMENSIONS



ABU

MODEL	A	B	C	D	E	F	G	H	I	Bolt Pattern	Bolt Size	Port Spacing	Ports Tapped npt	Vibrator Weight/Lbs.
ABU-6	3 ^{3/4}	2 ^{1/8}	1 ^{1/8}	1/4	5/8	3	1/4	1 ^{1/16}	1/8					3/4
ABU-13	5	2 ^{1/2}	1 ^{1/4}	5/16	1 ^{1/8}	4	3/8	1 ^{1/4}	1/8					1 ^{1/2}
ABU-19	5	3 ^{3/16}	1 ^{5/8}	3/8	1 ^{3/8}	4	3/8	1 ^{3/4}	1/4					2 ^{1/2}
ABU-25	6	4 ^{1/8}	2 ^{1/4}	1/2	1 ^{9/16}	5	1/2	2 ^{1/4}	3/8					5
ABU-32	6	4 ^{1/8}	2 ^{1/4}	1/2	1 ^{9/16}	5	1/2	2 ^{1/4}	3/8					6
ABU-38	7 ^{3/4}	5	2 ^{3/4}	1/2	1 ^{7/8}	6	5/8	2 ^{9/16}	3/8					9
ABU-44	8 ^{1/2}	5 ^{3/4}	3	1/2	2 ^{5/16}	7	5/8	3	1/2					13

PERFORMANCE

MODEL	IN. LBS.	HORZ.	VERT.	RPM	FORCE	CFM	At 20 PSI			At 40 PSI			At 60 PSI			At 80 PSI			At 100 PSI			Max. Lbs. in Sloped Section of Bin
							RPM	FORCE	CFM	RPM	FORCE	CFM	RPM	FORCE	CFM	RPM	FORCE	CFM	RPM	FORCE	CFM	
ABU-6	.001	1	1	17,000	8	2	22,000	14	3.5	25,000	18	4.5	26,000	19	6	27,000	20	8.5	20,000	90	7.5	12,000
ABU-13	.008	5	10	13,000	38	4.2	15,000	51	5	20,000	90	7.5	12,000	100	10.5	22,000	109	11.9	18,000	340	16.5	3,400
ABU-19	.037	5	13	10,500	116	4	14,000	205	7	16,000	270	11	17,000	303	14	18,000	340	16.5	12,000	474	16	13,000
ABU-25	.116	5	19	7,400	180	6.6	9,700	309	10	11,000	398	13	12,000	474	16	13,000	556	19	5,100	178	6	6,500
ABU-32	.240	5	30	5,100	178	6	6,500	288	11	7,500	383	17	11,500	901	19.2	12,500	1,065	23.5	10,500	1,363	24.6	10,500
ABU-38	.480	5	50	4,200	240	7	5,500	412	14	6,200	524	20	10,000	1,363	24.6	10,500	1,502	26.4	6,000	935	21	6,500
ABU-44	.915	5	60	3,200	266	9	5,100	675	15	6,000	935	21	6,500	1,097	26	7,000	1,273	29.5				