



We find what you're looking for!

- increased economic efficiency and improved quality of the product
- recovery of valuable materials
- consistent high output of clean valuable materials

Induction Sensor Sorters

The ISS is the perfect solution to recover the additional ferrous and non-ferrous metals not recovered by the ECS processing or magnetic separation!

The ISS provides efficient and effective automated recovery of all metals including stainless steel, eliminating the need for hand picking.

Applications

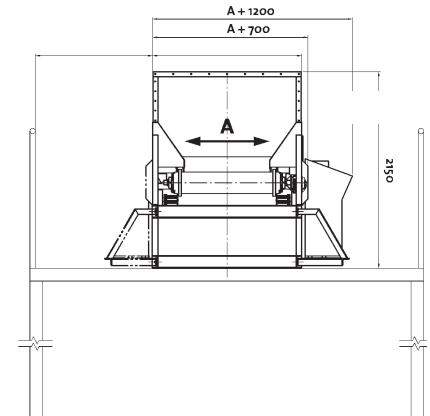
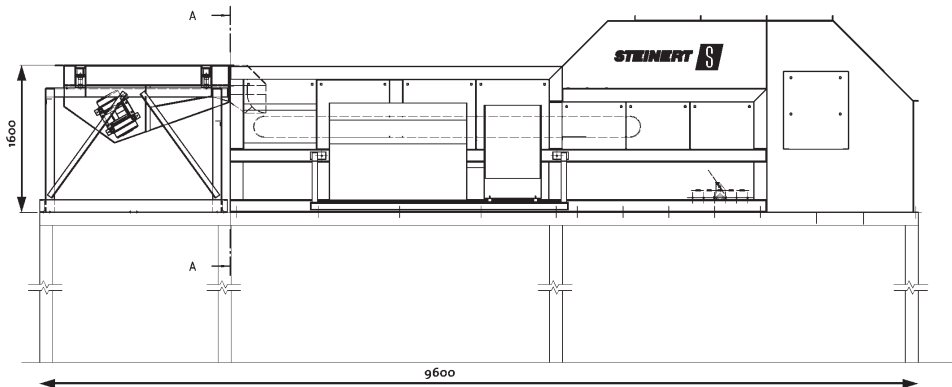
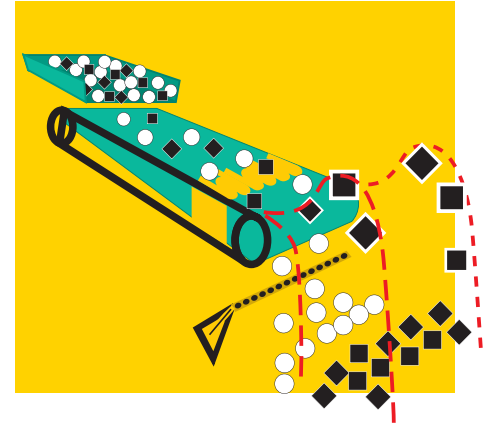
The primary applications for the ISS are shredder residue, electronic scrap, wood chips, glass, and domestic waste.

Technology

The technology of the ISS induction sorting system combines sophisticated sensor technology and computer-controlled air jets to quickly detect and eject metals. The result - the ISS provides increased economic efficiency, improved quality of the product, recovery of valuable materials, and consistent high output.

How it works

The previously separated bulk material is transported by a fast conveyor belt to a sorting zone. Below the conveyor belt there is an arrangement of sensors. These sensors analyse the material over the whole width of the conveyor belt by means of magnetic induction. As soon as metallic particles are detected, electronic signals are sent to the central computerised control unit. The compressed air jets, individually controlled by the programming, push the detected metals over the diverter gate.



Approx. dimensions

Types	Working width A
	mm / inch
ISS 60	600 / 23
ISS 80	800 / 31
ISS 100	1000 / 40
ISS 120	1200 / 47
ISS 140	1400 / 54
ISS 160	1600 / 63
ISS 200	2000 / 80

Contact details:

Steinert Australia
14 Longstaff Rd
Bayswater VIC 3153
Australia

Tel: +61 3 8720 0800
Fax: +61 3 8720 0888
sales@steinert.com.au
www.steinert.com.au

